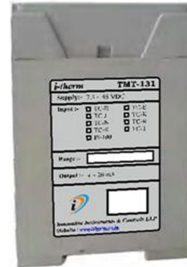


# Temperature Transmitter

# TMT-131



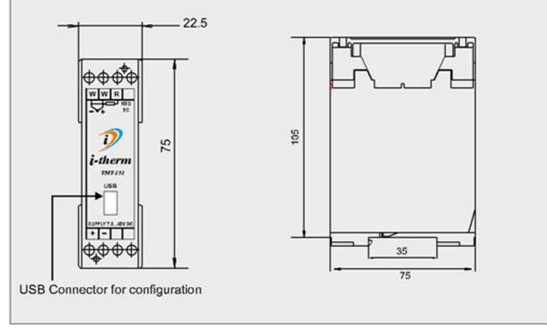
### Features

- Thermocouple: B, J, N, S, E, K, R, T
- 2 Wires 4-20mA output
- Input configurable via PC software and android smart phone
- Built-in cold junction compensation
- High accuracy, 0.1% for RTD, 0.2% for TC
- USB cable for configuration purpose can power from PC directly.
- Separate 24VDC power source is not required
- Surge protection, reverse connection protection

### Input Specification

Sensor Type	Specific Sensor Type	Measuring range
RTD	Pt-100	-200 to 600
TC	T	0 to 400
	J	0 to 760
	B	0 to 1800
	S	0 to 1750
	R	0 to 1750
	N	-100 to 1300
	K	-100 to 1300
E	-200 to 1000	

### Mechanical Dimensions



### Output Specification

Output Signal	: 4 - 20 mA
Circuit Max Current	: 22 mA
Max Load	: $(V_{in} - 7.5V) / 0.022A$

### Auxiliary Supply Specification

Supply Voltage	: 7.5 V to 45 VDC (50 V Max.)
----------------	-------------------------------

### Environmental Specification

Temperature	: Operating - 0 to 50°C
Storage	: -20° to 75°C
Humidity	: 95% RH (Non-condensing)

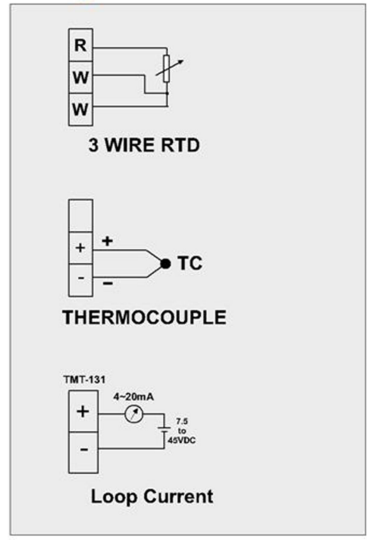
### General Specification

Model	TMT-131
Weight (Gms)	130

### Certification

None
------

### Wiring DIAGRAM





EMPOWERING PROCESS MANGEMENT

An ISO 9001:2015 Company

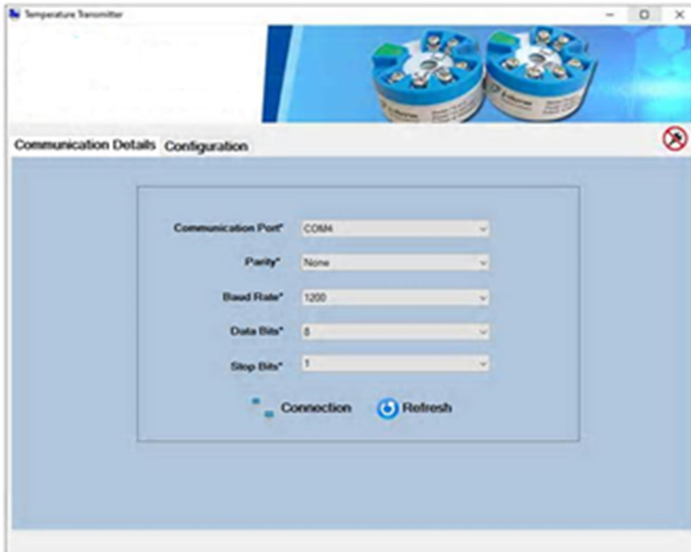


# Temperature Transmitter

# TMT-131

PC configuration software interface

Android OS system configuration software interface



## ELTEC CABLES & INSTRUMENTS

16, Bhaktinagar Station Plot, Rajkot-360 002. INDIA.  
Tel. : +91 281 2480400 URL : www.thermocouplewire.co.in  
E-mail : eltecin@gmail.com | sales@thermocouplewire.co.in